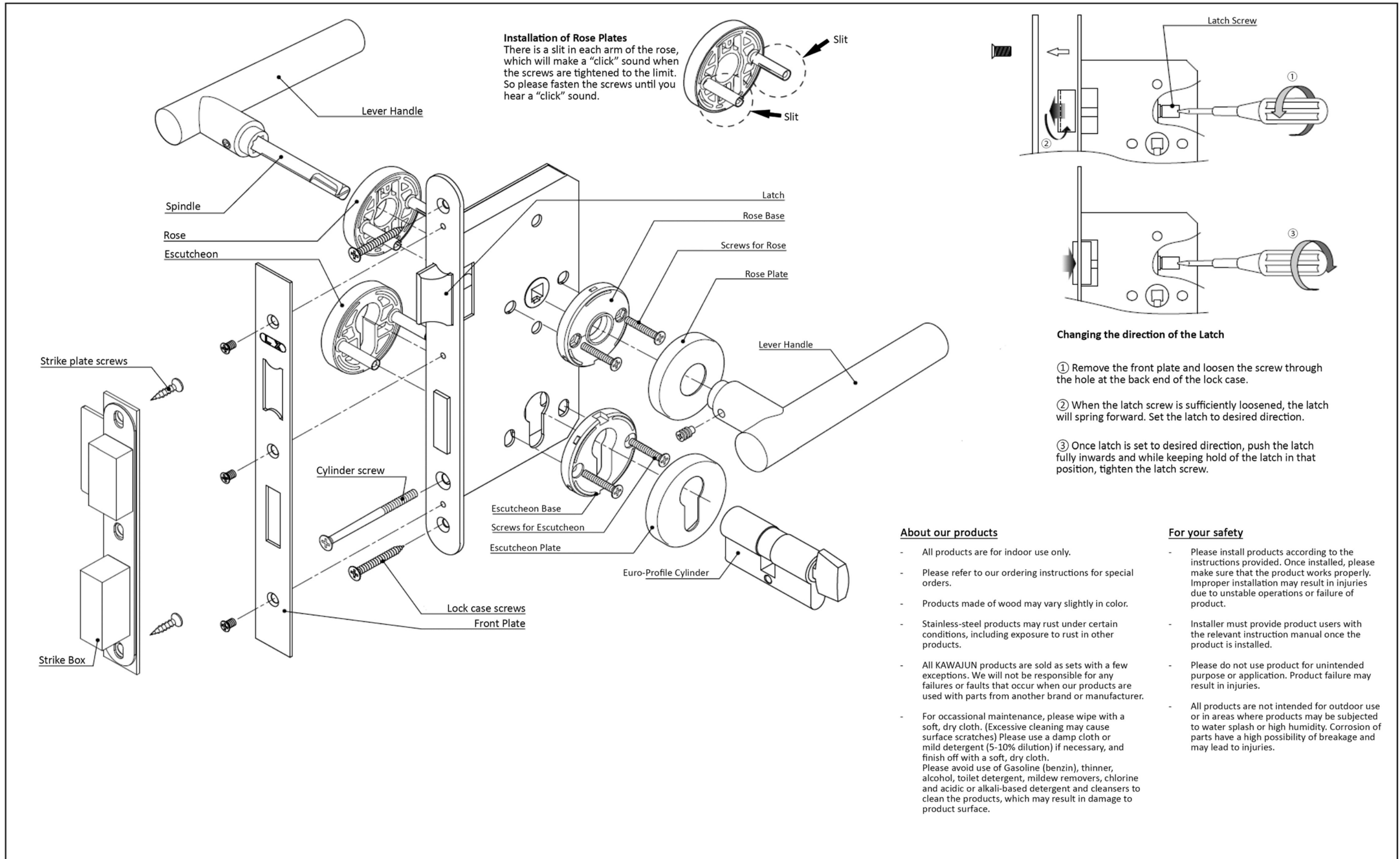


LCK Lock Case



About our products

- All products are for indoor use only.
- Please refer to our ordering instructions for special orders.
- Products made of wood may vary slightly in color.
- Stainless-steel products may rust under certain conditions, including exposure to rust in other products.
- All KAWAJUN products are sold as sets with a few exceptions. We will not be responsible for any failures or faults that occur when our products are used with parts from another brand or manufacturer.
- For occasional maintenance, please wipe with a soft, dry cloth. (Excessive cleaning may cause surface scratches) Please use a damp cloth or mild detergent (5-10% dilution) if necessary, and finish off with a soft, dry cloth. Please avoid use of Gasoline (benzin), thinner, alcohol, toilet detergent, mildew removers, chlorine and acidic or alkali-based detergent and cleansers to clean the products, which may result in damage to product surface.

For your safety

- Please install products according to the instructions provided. Once installed, please make sure that the product works properly. Improper installation may result in injuries due to unstable operations or failure of product.
- Installer must provide product users with the relevant instruction manual once the product is installed.
- Please do not use product for unintended purpose or application. Product failure may result in injuries.
- All products are not intended for outdoor use or in areas where products may be subjected to water splash or high humidity. Corrosion of parts have a high possibility of breakage and may lead to injuries.